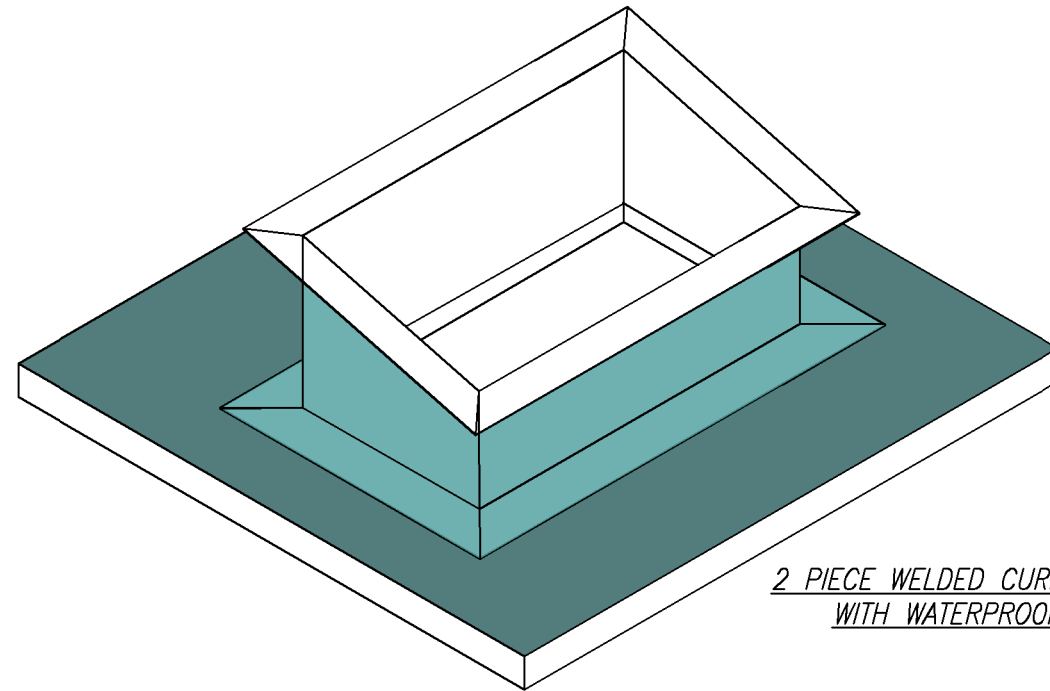
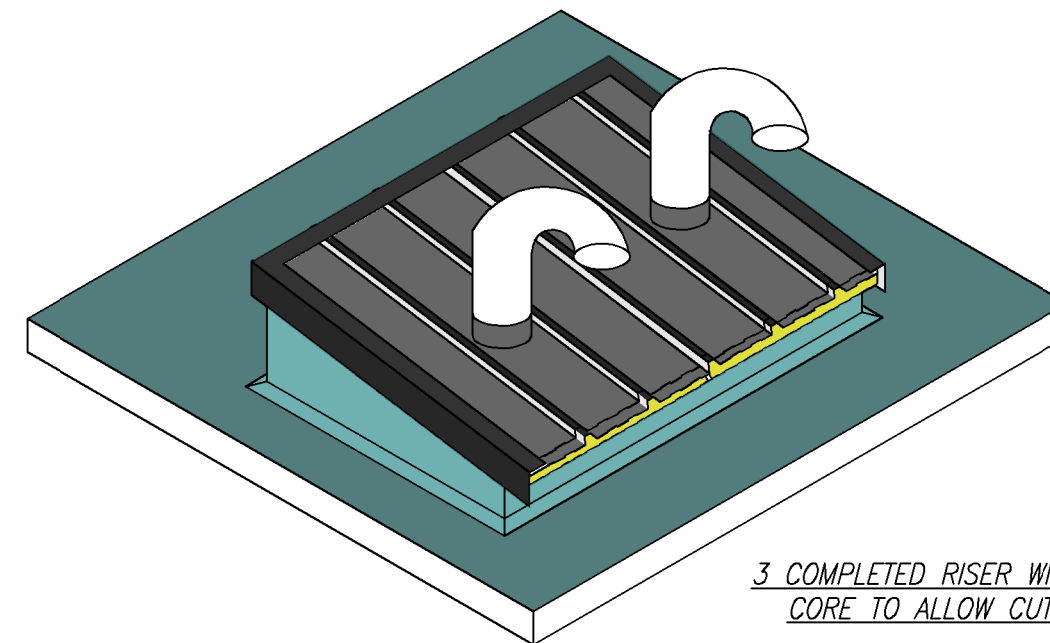


1 PIECE 3mm THICK ALUMINIUM WELDED CURB FIXED TO CONCRETE DECK BEFORE WATERPROOFING

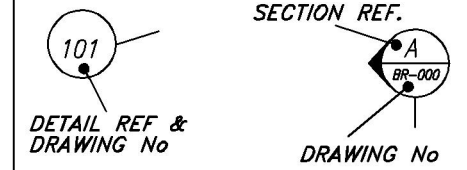


2 PIECE WELDED CURB FIXED TO CONCRETE DECK WITH WATERPROOFING ON THE UPSTANDS



3 COMPLETED RISER WITH REMOVABLE LID TO CORE TO ALLOW CUTTING OF CONCRETE

THIS DRAWING MUST NOT BE SCALED, WRITTEN DIMENSIONS ONLY  
DO NOT SCALE - IF IN DOUBT ASK



NOTES :-  
ALL INTERFACES BETWEEN DIS-SIMILAR METALS MUST BE ISOLATED.

Rev	Description	By
-----	-------------	----

Status **FINAL**



Aperture Richmond Road,  
Trafford Park,  
Manchester,  
M17 1RE

Client

Contract

Scale 1: A3

Drawn By *BB* Checked By *TL*  
Date 01-AUG-16 Date

Title  
SINGLE SKIN RISER DETAIL  
FOR UP TO 2000mm  
ISOMETRIC VIEWS

Contract No Drawing No Rev  
3600-BAL-DRG-002 P1